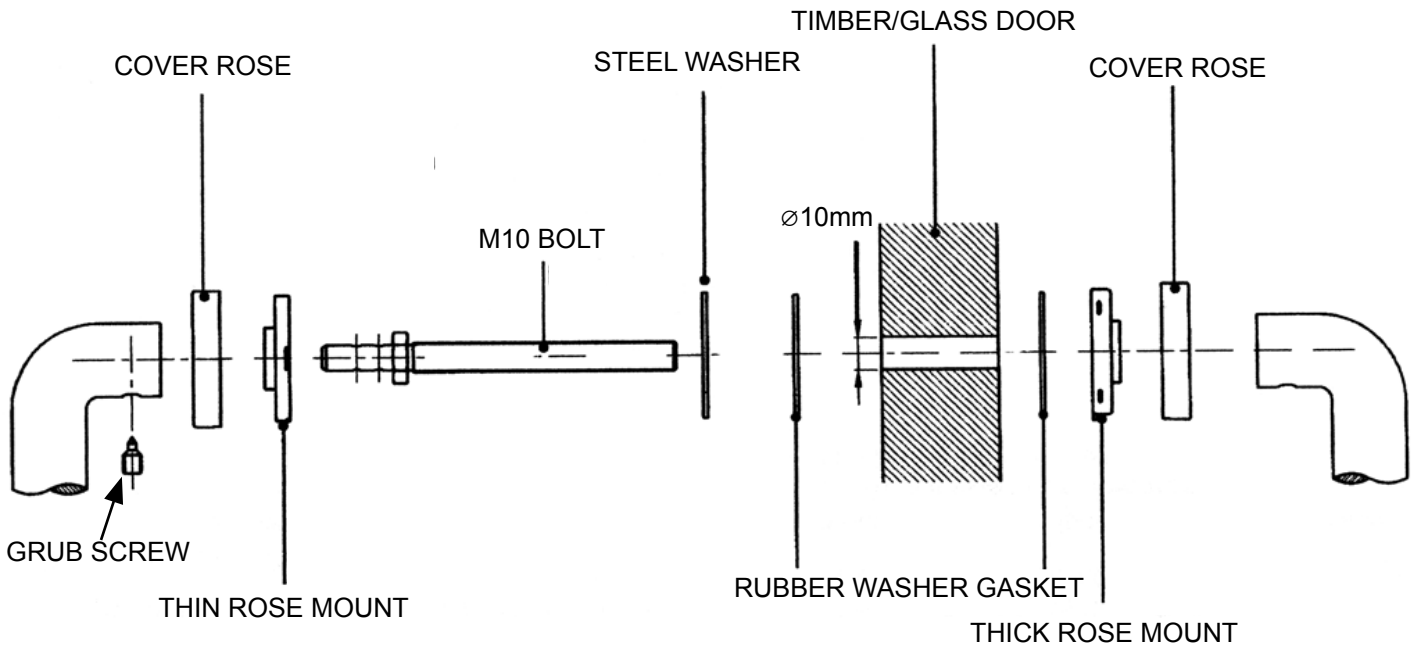
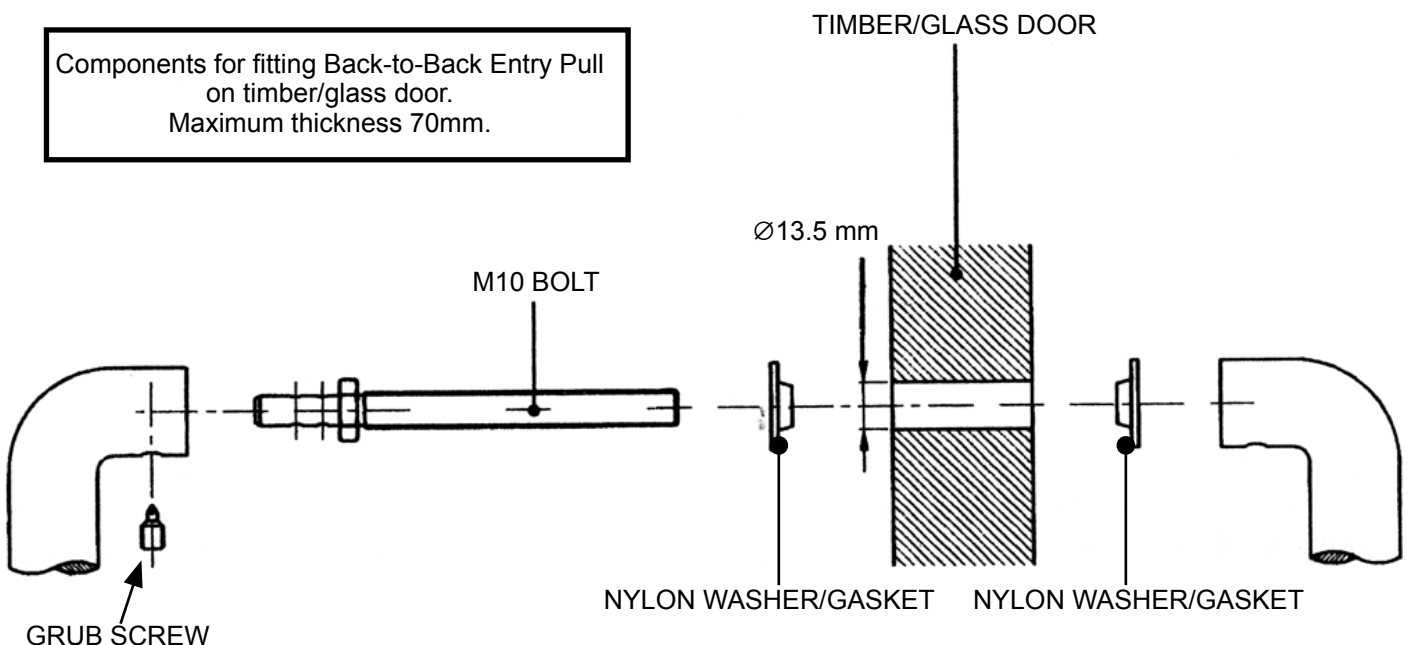


**OLIVARI ENTRY PULL  
BACK TO BACK FITTING GUIDE**

Components for fitting Back-to-Back Entry Pull with rose on timber/glass door. Maximum thickness 60mm.



Components for fitting Back-to-Back Entry Pull on timber/glass door. Maximum thickness 70mm.



***Suitable for Timber and Aluminum Framed Doors***