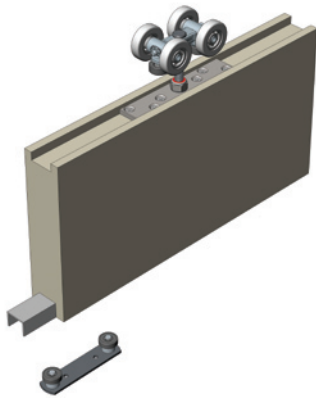


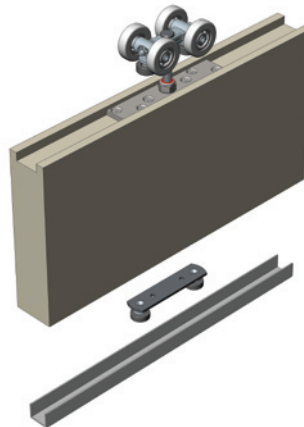
# E3S Straight Sliding Hardware

E3S SPECIFICATIONS	
max panel weight	300kg
max panel height	4000mm
max panel width	3000mm
max panel area	8m <sup>2</sup>
min panel thickness	38mm

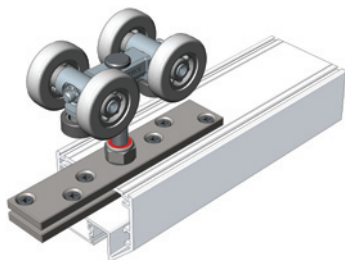
The smooth operation of Centor's top-hung E3 bifold hardware has been adapted to create the E3S sliding system. Featuring stainless steel bearings and ground nylon tyres, concealed E3S quietly and comfortably moves aside loads up to 300kg. Use E3S inside or out, for residential or commercial applications where high function is required.



GUIDE CHANNEL CONCEALED DOOR



GUIDE CHANNEL IN FLOOR



CARRIER WITH ALUMINIUM SLIDER

## E3S COMPONENTS

Part	Product Code	Description
	E32C4B	E3 straight sliding 2 wheel carrier, 100mm bolt
	E34C4B	E3 straight sliding 4 wheel carrier, 100mm bolt
	E34CCNSS	E3 straight sliding 4 wheel carrier nylon, stainless steel mounting screws included
	E34CRP	E3 straight sliding 4 wheel carrier retainer plate, stainless steel mounting screws included
	ATFGD16	Airtrack floor guide double, to go with E22FCP polychannel
	ATFGDN	Airtrack floor guide double, to go with E2FCA
	E3TS	E3 straight sliding track stop
	E3TA	E3 track available in various lengths and finishes
	E2FCA	floor channel available in various lengths and finishes
	E22FCR + E22FCP	floor channel retainer and polychannel, available in various lengths and finishes