

A9S

side-fixed internal sliding system

60kg max door panel weight

side-fixing allows for easy installation

jump-proof enclosed box-section track

stainless steel bearings optional

A9S: SLIDING SYSTEM

SIDE-FIXED INTERNAL SLIDING SYSTEM FOR PANELS TO 60KG

A9S SPECIFICATIONS	
max panel weight	60kg
max panel height	3000mm
max panel width	1500mm

Used with doors or shutters in a wide variety of interior commercial and residential applications the Centor A9S sliding system features side-attachment for simple installation. With a 60kg maximum door weight the A9S equals the capacity of the top-fastened A9T, allowing for substantial single doors or parting pairs on a single track where a larger opening is required. With precision ground bearings, extruded aluminium track and nylon-wheeled carriers Centor A9S is a durable solution for high-traffic applications.

SECURE AND FLEXIBLE

Fully enclosed box-section track design ensures that carrier wheels cannot disengage. A selection of floor and wall-fixed guides suit grooved or non-grooved door panels while spring loaded guides running in a floor channel are an option for uneven floors. Panel height can be adjusted by tightening or loosening a single bolt.

MATERIALS AND FINISHES

Centor A9S carriers come standard with stainless steel brackets and four nylon tyred wheels. A choice of bearings in stainless or plated steel is available to suit the particular application. Mill finish extruded aluminium track ensures long life and corrosion resistance, while custom anodised and powdercoated finishes are available for tracking.

SPECIFYING A9S

Architects and Designers can feel comfortable simply specifying "Centor A9S" and leaving detailed component selection to the builder, joiner or fabricator.



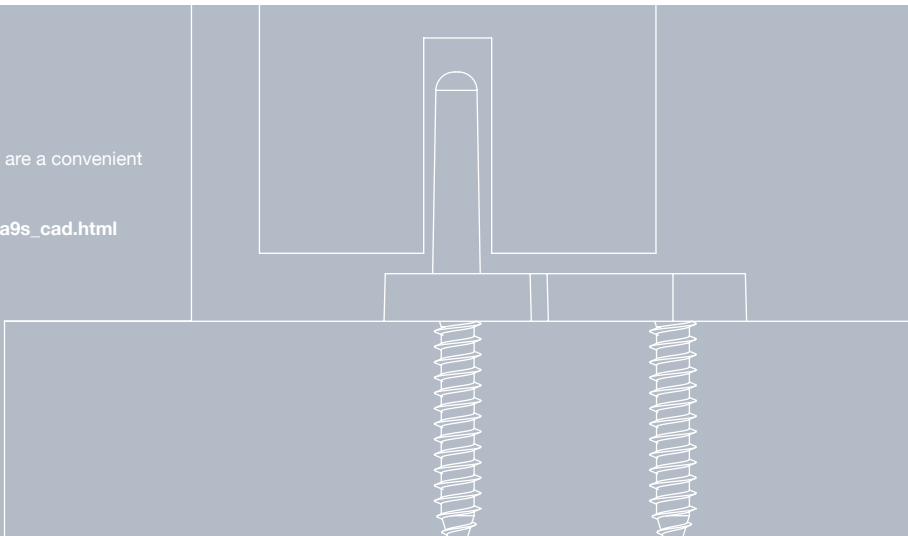
WITH 60KG PANEL CAPACITY AND SIDE-FIXING A9S IS A SIMPLE SOLUTION FOR SLIDING SUBSTANTIAL SINGLE OR PAIRED DOORS INSIDE THE HOME OR LIGHT-COMMERCIAL PROJECT.



A9S: ARCHITECTURAL DETAIL

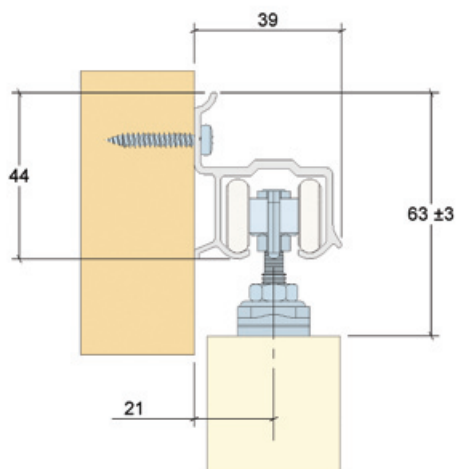
Downloadable DXF or DWG files ready for use in your own documentation are a convenient resource for architects and specifiers wishing to use Centor systems.

A9S DXF or DWG files can be downloaded from www.centor.com.au/au/a9s_cad.html



SIDE FIX

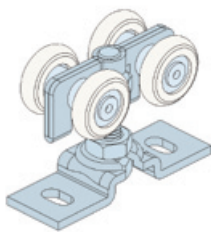
For thicker doors, mount door plate off centre line of door



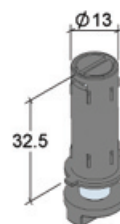
9S-001.DXF

94CCSM CARRIER

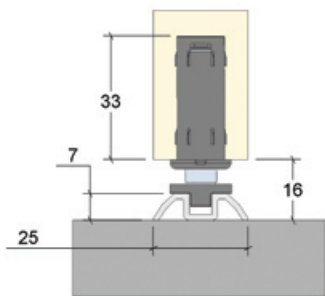
- standard for all sets
- 2 versions of carrier available
- stainless brackets
- 94CCSM plated bearings
- 94CCSS stainless bearings



9SLG FLOOR GUIDE

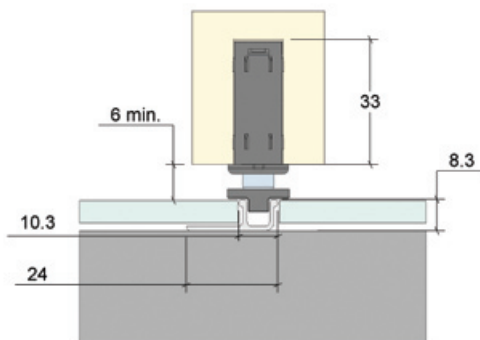


9GC FLOOR GUIDE ON CONCRETE OR CARPET



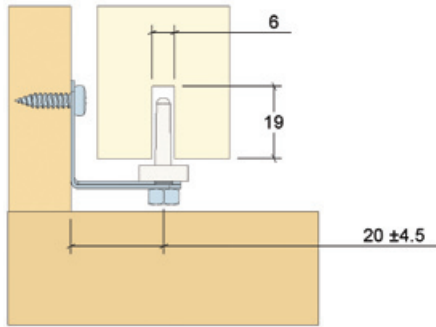
9S-002.DXF

MWT4CA FLOOR GUIDE IN TILE



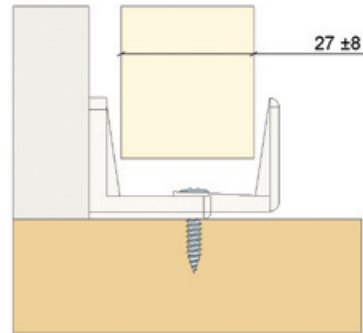
9S-003.DXF

1GW NYLON GROOVE GUIDE WITH
PLATED STEEL BRACKET ON WALL



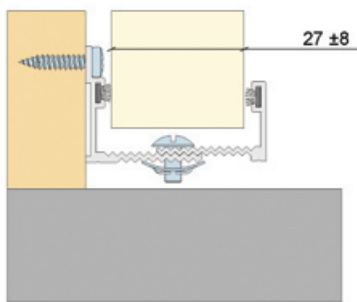
9S-006.DXF

1EG NYLON EXPANDING GUIDE ON TIMBER FLOOR



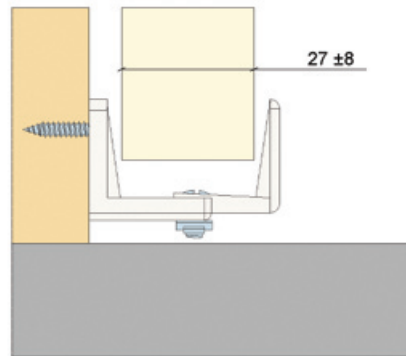
9S-007.DXF

1EGA ALUMINIUM EXPANDING GUIDE ON WALL



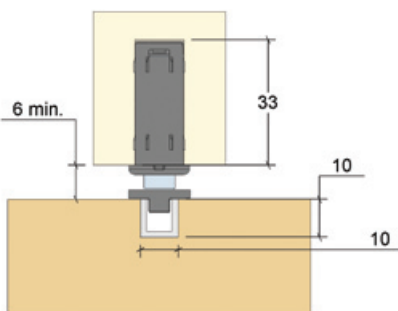
9S-008.DXF

1EG NYLON EXPANDING GUIDE ON WALL



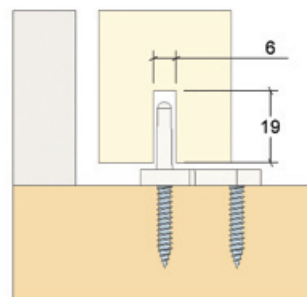
9S-009.DXF

9FCA FLOOR GUIDE IN TIMBER



9S-004.DXF

1G GROOVE GUIDE ON TIMBER FLOOR



9S-005.DXF

A9S: COMPONENT SELECTION

A9S is specified with 5 separate component groups*. Components are required from each group to build an A9S sliding door system except when indicated otherwise.

- 1 **Track** – choose surface finish and size required to suit opening
- 2 **Carriers** – choose material and number required to suit panel layout
- 3 **Guides** – choose guiding method and number required to suit panel layout
- 4 **Channel**** – choose fixing type, surface finish and size required to suit opening
- 5 **Accessories** – choose items which best suit opening and door panel requirements

* The A9S sliding door track system is also available as complete sets (see below).

** Channels are an optional item



SETS SELECTION


The A9S sliding door track system is also available as complete sets.

To specify a complete set, simply choose the set corresponding to the desired panel width. The set is supplied standard with the 94CCSM 4 wheel carrier with stainless componentry and plated precision bearings, together with track stops and the 1G moulded nylon guide. If stainless bearings are desired, specify A9S as individual parts.


The track is supplied in mill finished aluminium in two alternative lengths and is easily cut to size with a hacksaw. If desired, the track can be anodised, powdercoated or painted to suit. The track length should be twice the width of the intended panel.

PART	SELECT PANEL SIZE	PRODUCT CODE	SET DESCRIPTION
	up to 1000mm door	9SSA2	2000mm aluminium side fix set for single door containing: – 1 x 2000mm track – 2 x 94CCSM carriers – 2 x 9TS track stops – 1 x 1G nylon guide – 1 x screw pack
	up to 1500mm door	9SSA3	3000mm aluminium side fix set for single door containing: – 1 x 3000mm track – 2 x 94CCSM carriers – 2 x 9TS track stops – 1 x 1G nylon guide – 1 x screw pack


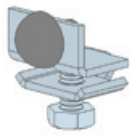
TRACK

PART	PRODUCT CODE	PART DESCRIPTION
	9SA20	2000mm sidefix aluminium track, mill
	9SA30	3000mm sidefix aluminium track, mill
	9SA40	4000mm sidefix aluminium track, mill
	9SA60	6000mm sidefix aluminium track, mill




CARRIERS

PART	PRODUCT CODE	PART DESCRIPTION
	94CCSM	4 wheel carrier, stainless steel & mild steel wheels
	94CCSS	4 wheel carrier, stainless steel with stainless steel bogey

ACCESSORIES

PART	PRODUCT NAME	PRODUCT CODE	DESCRIPTION
	adaptor plate for particle board doors	9AP	carrier adaptor plate for particle board doors
	track stop	9TS	track stop, zinc used to stop doors at end of track, or where two doors meet together on a single track.

OPTIONAL CHANNEL

PART	CHANNEL	PRODUCT CODE	PART DESCRIPTION
	surface mount	9GC20N	2000mm aluminium surface channel, natural anodised
		9GC30N	3000mm aluminium surface channel, natural anodised
		9GC40N	4000mm aluminium surface channel, natural anodised
		9GC60N	6000mm aluminium surface channel, natural anodised
	surface mount	9GC20W	2000mm aluminium surface channel, white powdercoat
		9GC30W	3000mm aluminium surface channel, white powdercoat
		9GC40W	4000mm aluminium surface channel, white powdercoat
		9GC60W	6000mm aluminium surface channel, white powdercoat
	surface mount	9GC20B	2000mm aluminium surface channel, brown powdercoat
		9GC30B	3000mm aluminium surface channel, brown powdercoat
		9GC40B	4000mm aluminium surface channel, brown powdercoat
		9GC60B	6000mm aluminium surface channel, brown powdercoat
	wood rebate	9FCA2N	2000mm aluminium rebate channel, natural anodised
		9FCA3N	3000mm aluminium rebate channel, natural anodised
		9FCA4N	4000mm aluminium rebate channel, natural anodised
		9FCA6N	6000mm aluminium rebate channel, natural anodised
	wood rebate	9FCA2W	2000mm aluminium rebate channel, white powdercoat
		9FCA3W	3000mm aluminium rebate channel, white powdercoat
		9FCA4W	4000mm aluminium rebate channel, white powdercoat
		9FCA6W	6000mm aluminium rebate channel, white powdercoat
	wood rebate	9FCA2B	2000mm aluminium rebate channel, brown powdercoat
		9FCA3B	3000mm aluminium rebate channel, brown powdercoat
		9FCA4B	4000mm aluminium rebate channel, brown powdercoat
		9FCA6B	6000mm aluminium rebate channel, brown powdercoat
	tile floor	MWT4CA	4000mm aluminium tile channel, natural anodised

* Custom powdercoated or anodised available on request

OPTIONAL GUIDES

PART	SELECT STYLE	GUIDE TYPE	PRODUCT CODE	PART DESCRIPTION
	non-grooved door	wall or floor fix	1EG	expandable guide, nylon, blister pack, suits doors 19 – 35mm
	non-grooved door	wall or floor fix	1EGA	expandable guide, aluminium, blister pack (with brush). suits doors 19 – 35mm
	grooved door	floor fix	1G	floor fixed groove guide, nylon, blister pack suits doors with 6 x 19mm groove
	grooved door	wall fix	1GW	wall fixed groove guide, nylon suits doors with 6 x 19mm groove
	floor channel	floor fix	9SLG use with floor channel	spring loaded guide drill 12.7 x 33mm hole

INSTALLATION

Installation using wall / floor guide

Separate top plate from carrier, fit top plate to door(s), feed carriers and stops into track, fit track, hang door(s), adjust carrier to align door, fit guide, adjust guide to remove excess play, locate and tighten stops.

Installation using 9SLG spring loaded guide

Separate top plate from carrier, fit top plate to door(s), fit bottom spring-loaded guide, feed carriers and stops into track, fit track and channel, hang door(s), adjust carrier to align door, locate and tighten stops.

To fit 1G guide:

- 1 Fit screw A
- 2 Rotate guide sideways to remove excess play, then fit screw B

